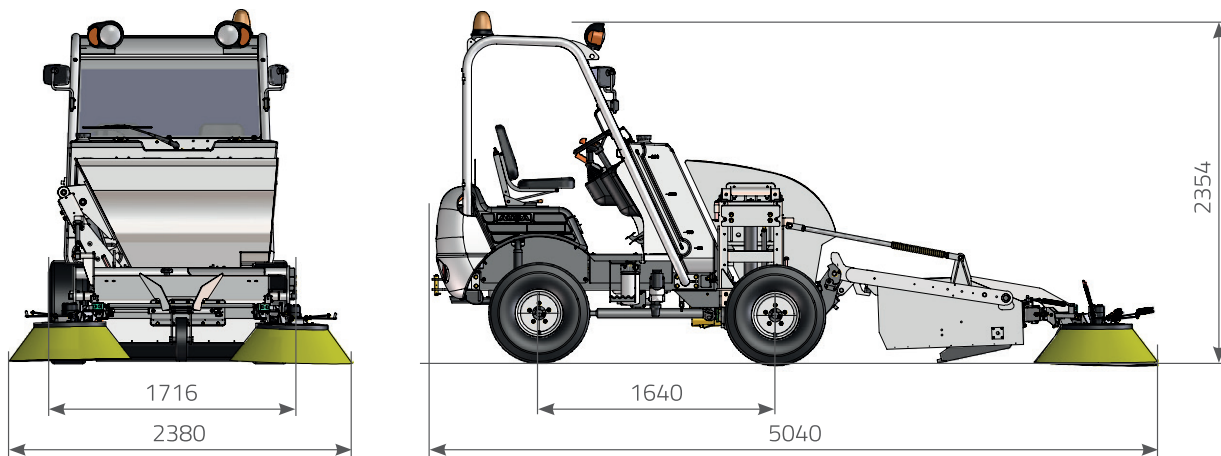




## TECHNICAL DATA

GENERAL		BD 202 HL
Maximum authorised weight	kg	-
Unladen weight*	kg	2300
Total height	mm	2275
Total width (without brushes)	mm	2175
Total length (with brushes)	mm	3500/4990
ENGINE		
Make	-	KUBOTA
Model	-	V1505
Power	kW	22.7
Torque	N·m@rpm	95,6@2000
No. cylinders	-	4
Consumption	l/h	6,47
DRIVING		
Maximum speed	km/h	20
Maximum operation speed	km/h	20
Gradeability (at full load)	%	42
External turning radius	mm	4190
Tyres	-	10.0/80-12"TL (10PR)
WASTE HOPPER		
Capacity	l	900
Material	-	Steel
Tipping height	mm	1500
Tipping width	mm	900
SWEEPING SYSTEM		
No. brushes	-	2
Port and arms material	-	Steel
Effective maximum width of sweep	mm	1720
Sprinklers	-	4
WATER TANK		
Capacity	l	350
Material	-	Rotomolding HDPE
Water pump flow	l/min	12,5
Water pump pressure	bar	2,5

## DIMENSIONS



**excelway**<sup>®</sup>



[www.excelway.eu](http://www.excelway.eu)

Products are subject to modifications without prior notice. Images throughout the spec sheet may refer to non-standard machines or non-available configurations depending on models.

AUSA's logo and corporate identity are property of the Company, they cannot be used without authorization.